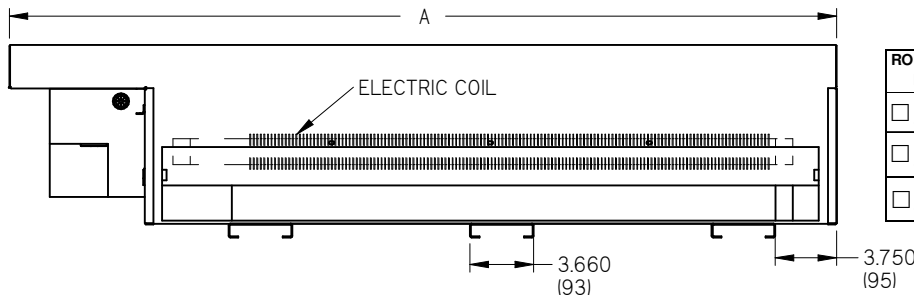
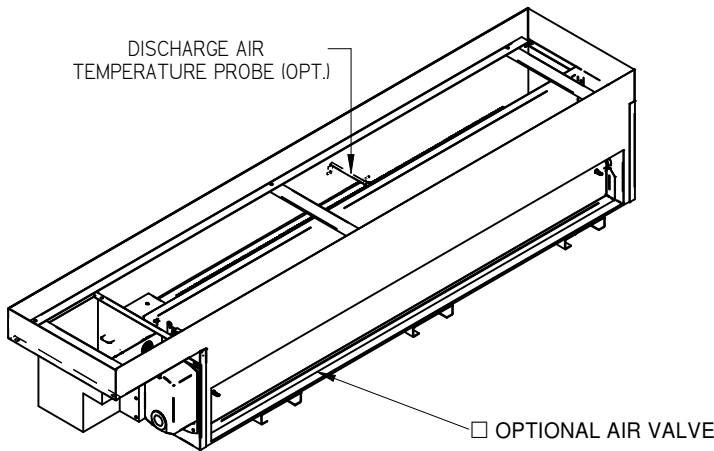


LNT ELECTRIC

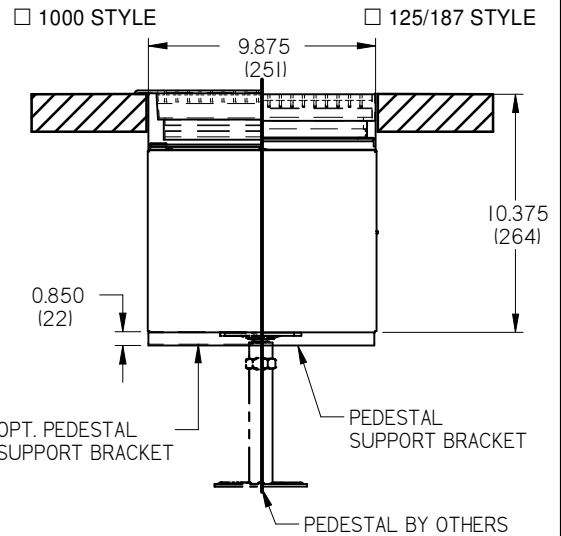


| ROUGH OPENING NOM L X W | LENGTH A | AIR VALVE SIZE (CFM) | MIN. EC (W) | MAX. EC (W) |
|--|------------------|--|----------------|----------------|
| <input type="checkbox"/> 48 X 10 (1219 X 254) | 47 7/8 (1216) | <input type="checkbox"/> 200 <input type="checkbox"/> 300 <input type="checkbox"/> 400 | 750 | 1000 |
| <input type="checkbox"/> 72 X 10 (1829 X 254) | 71 7/8 (1826) | <input type="checkbox"/> 200 <input type="checkbox"/> 300 <input type="checkbox"/> 400 | 1000 | 1500 |
| <input type="checkbox"/> 96 X 10 (2438 X 254) | 95 7/8 (2435) | <input type="checkbox"/> 400 <input type="checkbox"/> 600 <input type="checkbox"/> 800 | 1500 | 2000 |

| NOMINAL LENGTH | 120-1V | | | 208-1V | | | 240-1V | | | 277-1V | | |
|-------------------|-------------|-------------|---------|-----------|------------|-----|-----------|------------|-----|-----------|-----------|-----|
| | AMPS | MCA | MOP | AMPS | MCA | MOP | AMPS | MCA | MOP | AMPS | MCA | MOP |
| 48 | 6.3 - 8.3 | 7.8 - 10.4 | 15 | 3.6 - 4.8 | 4.5 - 6.0 | 15 | 3.1 - 4.2 | 3.9 - 5.2 | 15 | 2.7 - 3.6 | 3.4 - 4.5 | 15 |
| 72 | 8.3 - 12.5 | 10.4 - 15.6 | 15 - 20 | 4.8 - 7.2 | 6.0 - 9.0 | 15 | 4.2 - 6.3 | 5.2 - 7.8 | 15 | 3.6 - 5.4 | 4.5 - 6.8 | 15 |
| 96 | 12.5 - 16.7 | 15.6 - 20.8 | 20 - 25 | 7.2 - 9.6 | 9.0 - 12.0 | 15 | 6.3 - 8.3 | 7.8 - 10.4 | 15 | 5.4 - 7.2 | 6.8 - 9.0 | 15 |



**NOTE: LFG MUST BE ORDERED SEPARATELY
NOMINAL GRILLE SIZE = L-0.250"(6) X 9.750"(248)**



NOTE:

- LNT WITH LFG INSTALLED IS DESIGNED TO WITHSTAND LIGHT FOOT TRAFFIC
- PEDESTAL BRACKETS SUPPLIED & MOUNTED BY PRICE
- PEDESTAL & PEDESTAL HEAD SUPPLIED BY OTHERS

PLENUM:

- 20 GAUGE STEEL CONSTRUCTION
- BLACK FINISH
- DROP-IN INSTALLATION FROM ABOVE FLOOR
- COMES WITH REMOVABLE ENDCAPS FOR CONTINUOUS & DISCRETE GRILLE INSTALLATIONS

DAMPER CONTROL:

- 24 VAC FLOATING POINT ACTUATOR
- RJ45 CONTROL BOARD WITH PLENUM RATED CONTROL CABLE

PEDESTAL BRACKETS OPTION (REQUIRED FOR PDS):

- PEDESTAL BRACKETS
- 3 FOR 48X10 UNITS
- 4 FOR 72X10 UNITS
- 5 FOR 96X10 UNITS

ACOUSTIC LINER:

- 1/2" INTERNAL FIBER FREE LINER (3LB DENSITY MIN.)

CFLEX CONTROL CABLE (PURPLE):

- 15P - 15 FT. STRANDED
- 25P - 25 FT. STRANDED
- 35P - 35 FT. STRANDED

COIL TYPE:

- STG - SINGLE STAGE HEAT (ON-OFF)
- SCR - SILICON CONTROLLED RECTIFIER (0-10VDC)

SCR DAT CONTROL:

- DAT - DISCHARGE AIR TEMP PROBE

HEATER ELEMENT:

- 120/1/60 ELECTRICAL
- 208/1/60 ELECTRICAL
- 240/1/60 ELECTRICAL
- 277/1/60 ELECTRICAL
- FINNED STRIP HEATER, MULTIPLE ELEMENTS MAY BE SUPPLIED ON LONGER UNITS
- TRANSFORMERS & DISCONNECT SWITCH INCLUDED IN ASSEMBLY

HIGH VOLT CABLE OPTIONS:
REFERENCE PAGE 2

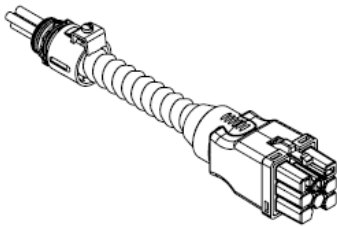
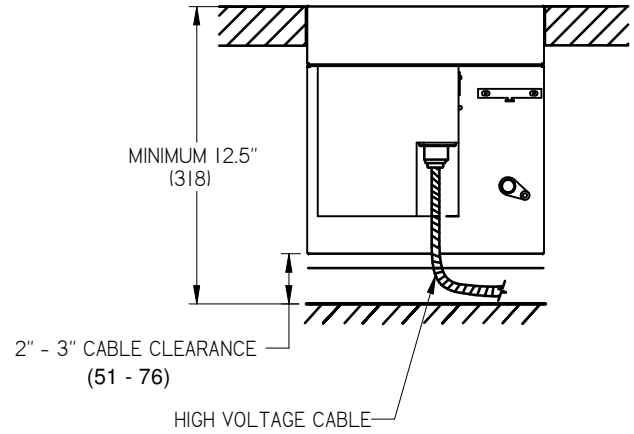
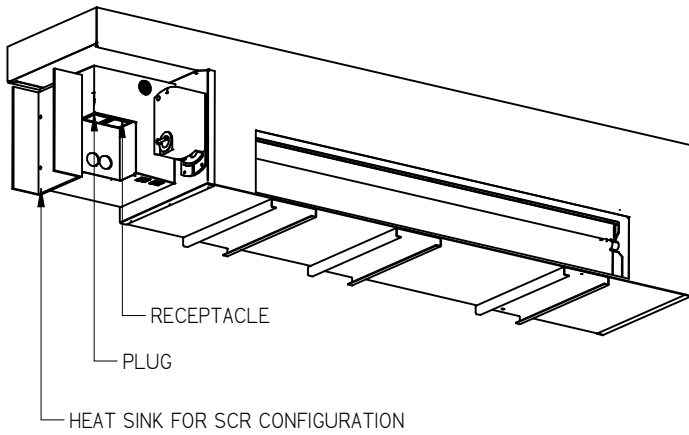


Intertek

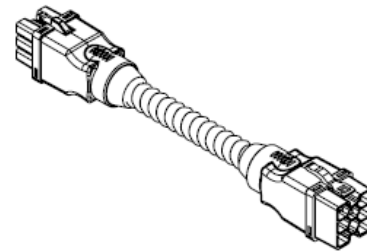
ALL METRIC DIMENSIONS () ARE SOFT CONVERTED. IMPERIAL DIMENSIONS ARE CONVERTED TO METRIC AND ROUNDED TO THE NEAREST MILLIMETER.

| | | |
|------------------------|----------------------|---|
| PROJECT: | | LNT LNT ELECTRIC |
| ENGINEER: | | |
| CUSTOMER: | | |
| SUBMITTAL DATE: | SPEC. SYMBOL: | |
| | | PS 271164 2023/09/19 |

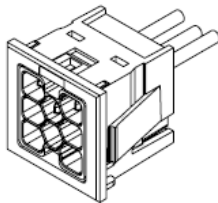
**LNT ELECTRIC
HIGH VOLTAGE CABLE OPTIONS**



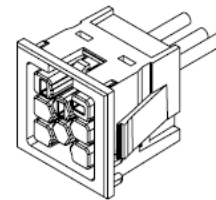
STARTER CABLE



EXTENDER CABLE



RECEPTACLE



PLUG

NOTE:

- 2" - 3" (51 - 76) CABLE CLEARANCE REQUIRED BELOW THE BOTTOM OF THE PLENUM
- EACH PLENUM COMES WITH ONE RECEPTACLE AND ONE PLUG

SUPPLY POWER:

- 115/24 VAC
- 277/24 VAC

HVC - HIGH VOLTAGE MODULAR CABLES (OPTIONAL):

- STARTER CABLE, 20FT EXTENDER CABLE, 20FT
- STARTER CABLE, 40FT EXTENDER CABLE, 40FT
- STARTER CABLE, 60FT EXTENDER CABLE, 60FT

NOTE: HVC MUST BE ORDERED SEPARATELY



Intertek

ALL METRIC DIMENSIONS () ARE SOFT CONVERTED. IMPERIAL DIMENSIONS ARE CONVERTED TO METRIC AND ROUNDED TO THE NEAREST MILLIMETER.

| | | | |
|------------------------|----------------------|--------------|-----------------------------|
| PROJECT: | | PRICE | LNT LNT ELECTRIC |
| ENGINEER: | | | |
| CUSTOMER: | | 271164 | |
| SUBMITTAL DATE: | SPEC. SYMBOL: | 2023/09/19 | |